

# E553 Series Industrial PC

## Features 产品特性

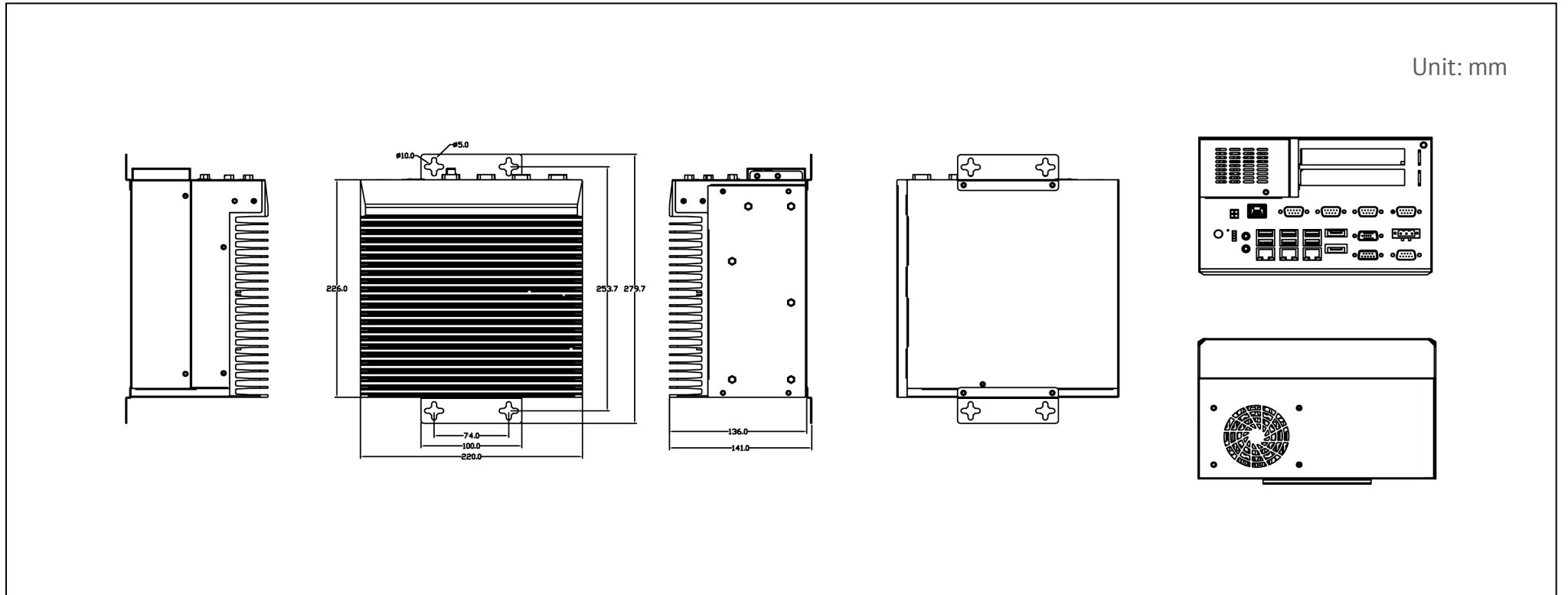
- Intel® 6th/7th/8th/9th Gen Processors with LGA1151
- Support for 2 independent displays via Dual DP and one VGA ports with resolution up to 4K UHD
- 2 x DDR4 SO-DIMM sockets support up to 32 GB memory
- 1 x PCIe Gen3 x16 slot, 1 x PCIe Gen2 x2/PCI slot
- 4 x Gigabit LAN (2 x Intel i210/i211AT, 1 x Intel i219LM, 1 x i225 2.5 GbE)
- 6 x USB ports and 1 x internal USB 2.0 Type-A connector
- 3 x RS485/232, 3 x RS232
- Compact and Rugged design



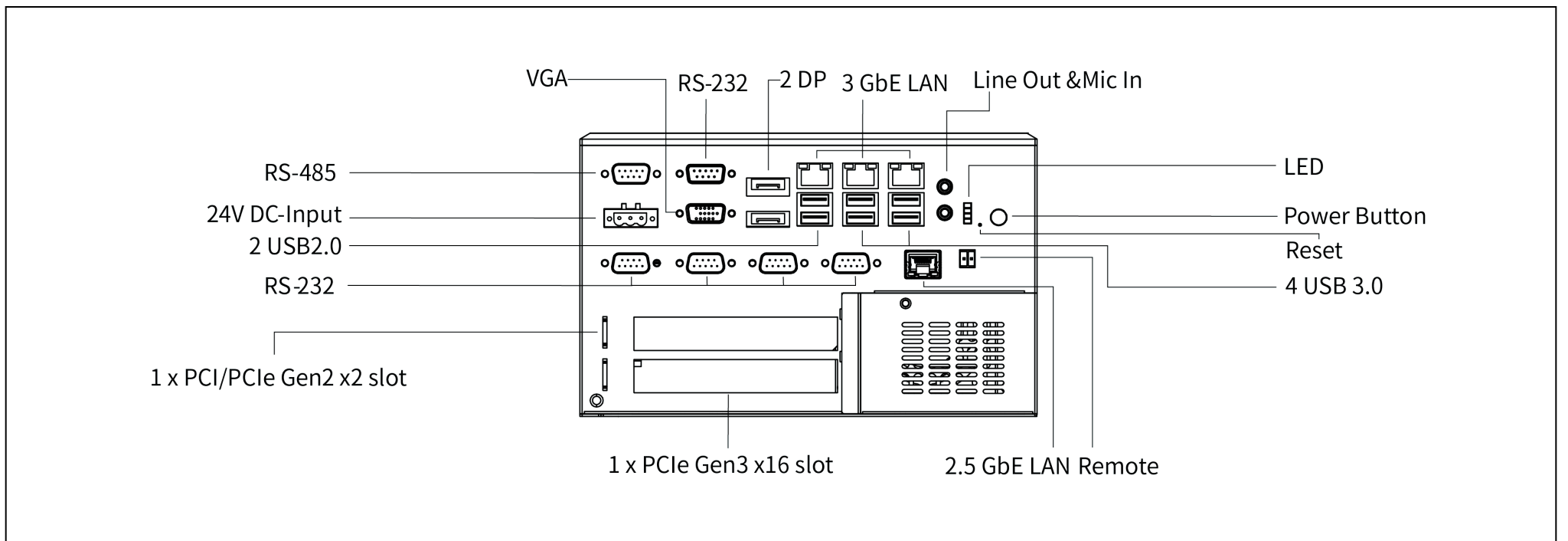
## Specifications 规格信息

Specs	Item	E553 Series
Processor System	CPU	Intel® 6th/7th/8th/9th Gen Processors with LGA1151
	Chipset	H110
	BIOS	AMI 8MB UEFI
Memory	Sockets	Dual Channel 260-PIN DDR4 SO-DIMM
	Capacity	Max. 32GB
Display	DP	2 x DP (4K2K resolution), Max. 4096 x 2304 @60Hz
	VGA	1 x VGA, Max. 1920 x 1080 @60Hz
	Dual Display	Yes, DP + DP or DP + VGA
Audio	Controller	Realtek ALC662, High Definition Audio. Line-out, Mic-in
Ethernet	LAN	2 x Intel® i210/i211-AT GbE, 1 x Intel® i219-LM GbE, 1 x Intel® i225 2.5 GbE
Peripheral Interface	USB	2 x USB 2.0, 4 x USB 3.0
	COM	3 x RS-232/485, 3 x RS-232
	Remote	1
	LED	4x LED(SATA/Stand by/Memory/Watchdog)
	Reset	1x reset button
	Power Button	1 x power button
Storage	SATA3.0	1 x SATA3.0 for 2.5 inches storages
	m.2	1 x m.2
Expansion	Mini-PCIe	1 x full-size Mini-PCIe, with WLAN/WWAN module support
	Internal USB	1 x USB2.0 internal
	USIM	1 x USIM
	PCIe and PCI	1 x PCIe 3.0 x16 slot, 1 x PCIe 2.0 x2/PCI slot
Watchdog	Output/Interval	Interrupt, System Reset/255 levels timer interval, from 1 to 255 sec
Power Supply	DCInput	24V DC
OS	MicrosoftWindows	Windows 7 (only for Intel® Gen6 CPUs ) or Windows 10 64bit
	Linux	Yes
Physical Characteristics	Construction	Aluminium Alloy
	Mounting	Desktop/Wall- Mounting
	Dimensions	220 x 226 x 136mm(LxWxH)
	Weight	4.0 Kg
Environment	Operating Temperature	0°C~50°C, Airflow 0.7m / s
	Storage Temperature	-40°C~80°C
	Relative Humidity	10~95%@40°C(Non-Condensing)
	Vibration During Operation	With SSD:3Grms, IEC 60068-2-64, random vibration, 5~500 Hz, 1hr/axis
	Shock During Operation	With SSD:30 G, IEC 60068-2-27, half sine, 11m duration
	ESD	Contact +/-4 KV, Air +/-8 KV
	EMC	CE/FCC Class B

## Dimensions 尺寸



## Interface 接口



## Ordering Information 订购信息

Model	CPU	Memory	GbE	2.5 GbE	USB3.0	USB2.0	RS-232	RS-485	Audio	Expansion	USIM	m.2	SATA 3.0	VGA	DP	DC-Input
E553	Optional	Optional	3	1	4	2	5	1	2	1 mini-PCIe 1 PCIe x16 1 PCIe x2/PCI	1	1	3	1	2	24V DC-IN

## CPU List 可选处理器

CPU	Intel Coffee Lake CPUs								Intel Kaby Lake CPUs				
	i7- 9700	i5- 9400	i3- 9100	i7- 8700	i5- 8400	i3- 8100	Pentium-G5400	Celeron-G4900	i7- 7700	i5- 7500	i3- 7100	Pentium-G4560	Celeron-G3930
Frequency	3.0GHz	2.9GHz	3.6GHz	3.2GHz	2.8GHz	3.6GHz	3.7GHz	3.1GHz	3.6GHz	3.4GHz	3.9GHz	3.5GHz	2.9GHz
Up to	4.7GHz	4.1GHz	4.2GHz	4.6GHz	4.0GHz				4.2GHz	3.8GHz			
Cores	8	6	4	6	6	4	2	2	4	4	2	2	2
Threads	8	6	4	12	6	4	4	2	8	4	4	4	2
TDP	65W	65W	65W	65W	65W	65W	58W	54W	65W	65W	51W	54W	51W
Cache	12M	9M	6M	12M	9M	6M	4M	2M	8M	6M	3M	3M	2M